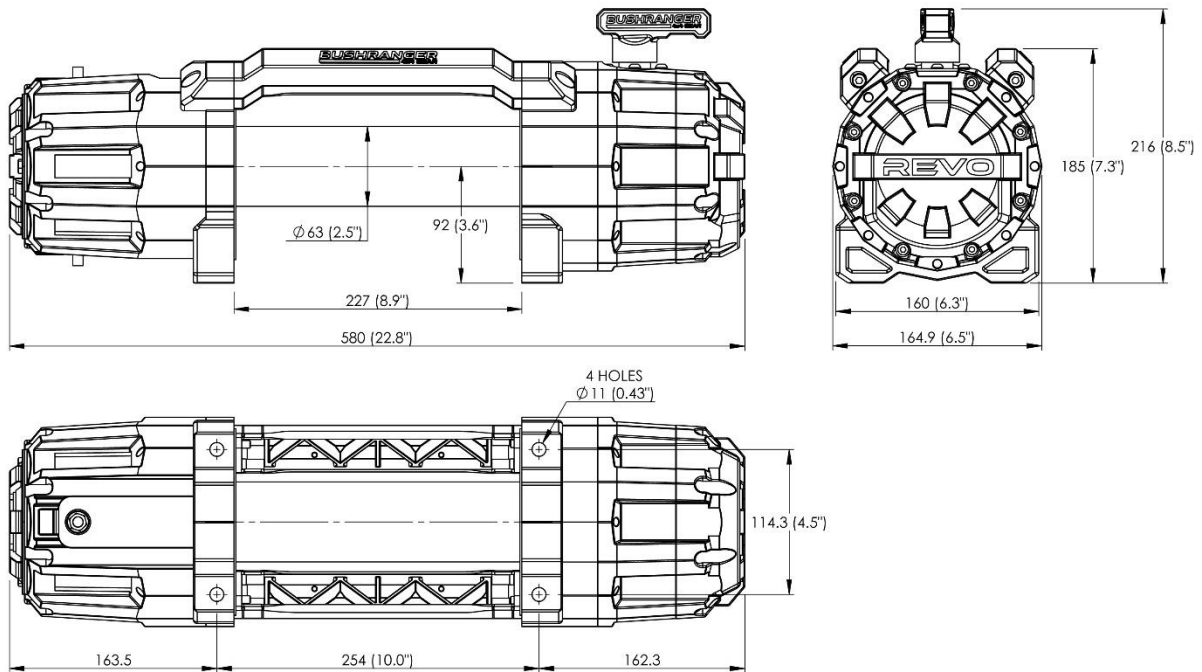


BUSHRANGER 4x4 GEAR REVO



RWR 100S

SPECIFICATIONS | SYNTHETIC



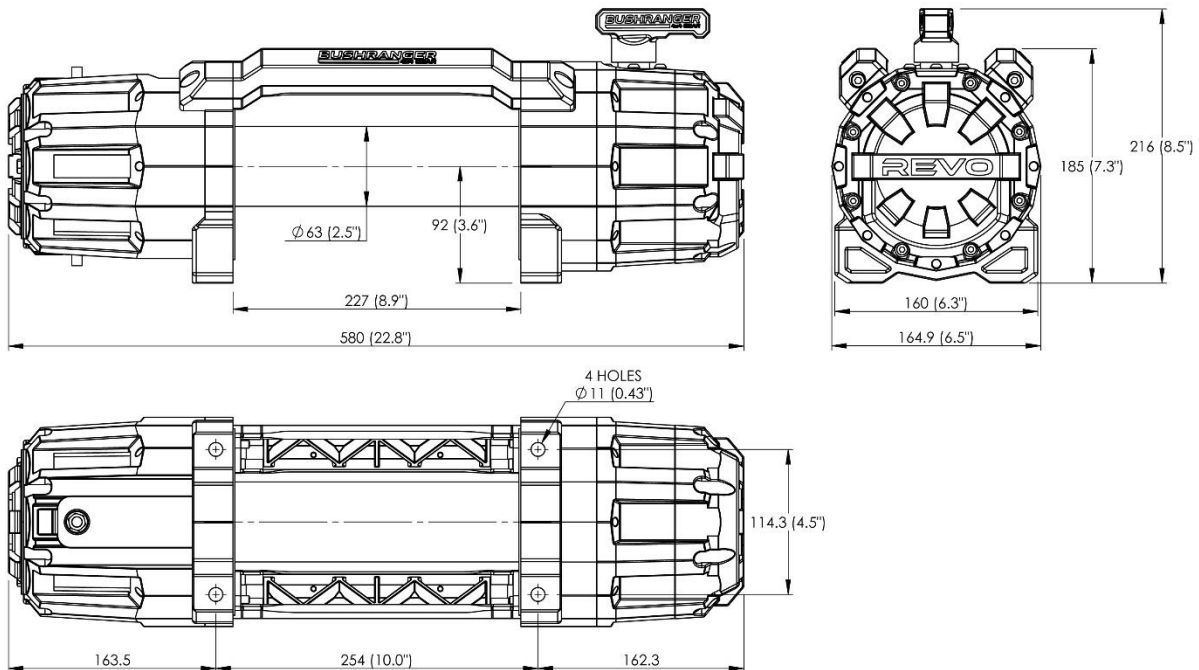
Part Number	RWR100S
Dimensions	583mm (L) x 165mm (W) x 216mm (H)
Rated Line Pull (single)	10,000lbs (4,536kg)
Motor	Series wound, 12V, 5.2HP (3.9kw)
Electrical Contactor	IP67 500A
Gear Train	4 stage gear driven
Gear Ratio	171:1
Clutch (freespooling)	Rotating Ring Gear
Brake	Gearbox Mounted, Proportional Friction Brake System
Drum Diameter/Length	63.5mm x 244mm
Mounting Bolt Pattern	254mm x 114mm
Rope	10mm x 28m Synthetic Rope
Waterproof Rating	IP67
Winch Weight	33kg
Packaged Weight	37kg

BUSHRANGER 4x4 GEAR REVO



RWR 100W

SPECIFICATIONS | WIRE



Part Number	RWR100W
Dimensions	583mm (L) x 165mm (W) x 216mm (H)
Rated Line Pull (single)	10,000lbs (4,536kg)
Motor	Series wound, 12V, 5.2HP (3.9kw)
Electrical Contactor	IP67 500A
Gear Train	4 stage gear driven
Gear Ratio	171:1
Clutch (freespooling)	Rotating Ring Gear
Brake	Gearbox Mounted, Proportional Friction Brake System
Drum Diameter/Length	63.5mm x 244mm
Mounting Bolt Pattern	254mm x 114mm
Rope	9.2mm x 28m Wire Rope
Waterproof Rating	IP67
Winch Weight	44kg
Packaged Weight	49kg