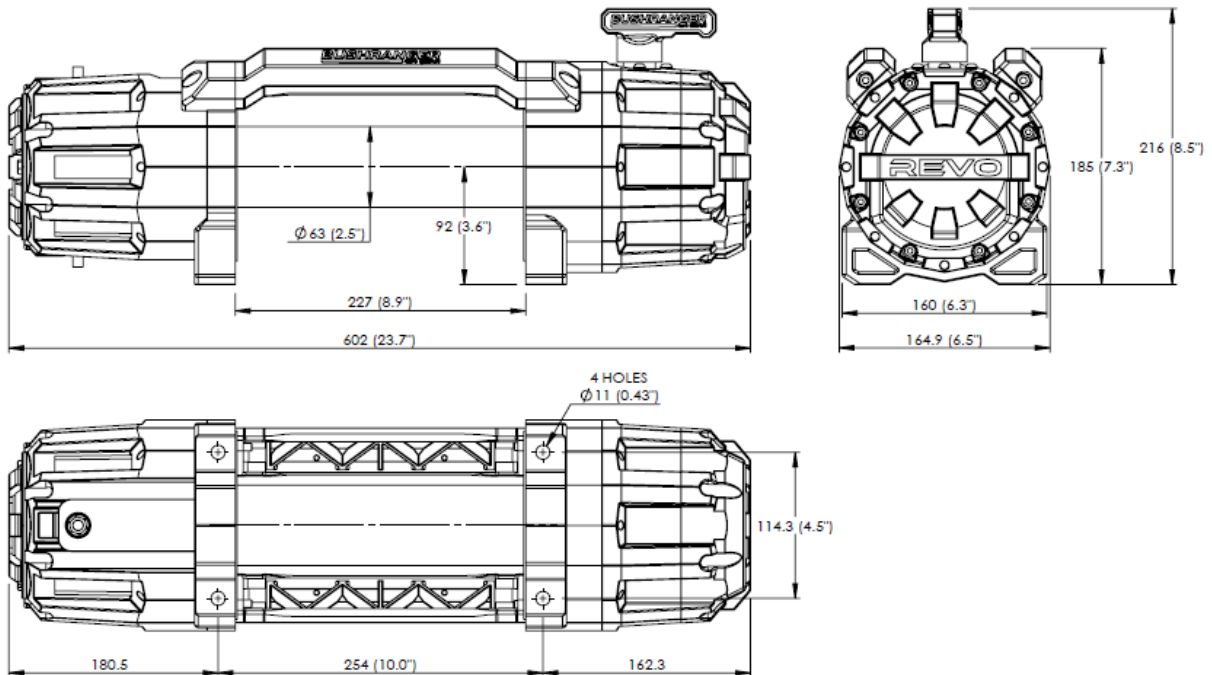


BUSHRANGER 4x4 GEAR REVO



RWR120S

SPECIFICATIONS | SYNTHETIC



Part Number	RWR120S
Dimensions	602mm (L) x 165mm (W) x 216mm (H)
Rated Line Pull (single)	12,000lbs (5,443kg)
Motor	Series wound, 12V, 6.2HP (4.6kw)
Electrical Contactor	IP67 500A
Gear Train	4 stage gear driven
Gear Ratio	171:1
Clutch (freespooling)	Rotating Ring Gear
Brake	Gearbox Mounted, Proportional Friction Brake System
Drum Diameter/Length	63.5mm x 244mm
Mounting Bolt Pattern	254mm x 114mm
Rope	11mm x 24m Synthetic Rope
Waterproof Rating	IP67
Winch Weight	35kg